

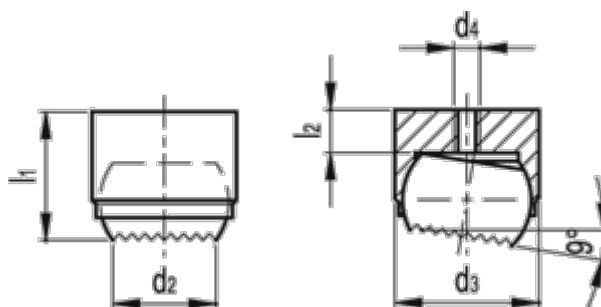
# Data Sheet



Article number: 20254027

Description: E+G Clamping pad  
GN 709.2-28-R

## Measures



d1 m6 = 28

d2 = 20.0

d3 = 25

d4 = M5

d5 = 28

h min = 13

l1 +/-0.1 = 25.0

l2 = 5.5

Max static load (KN) = 90

Weight (g) = 80